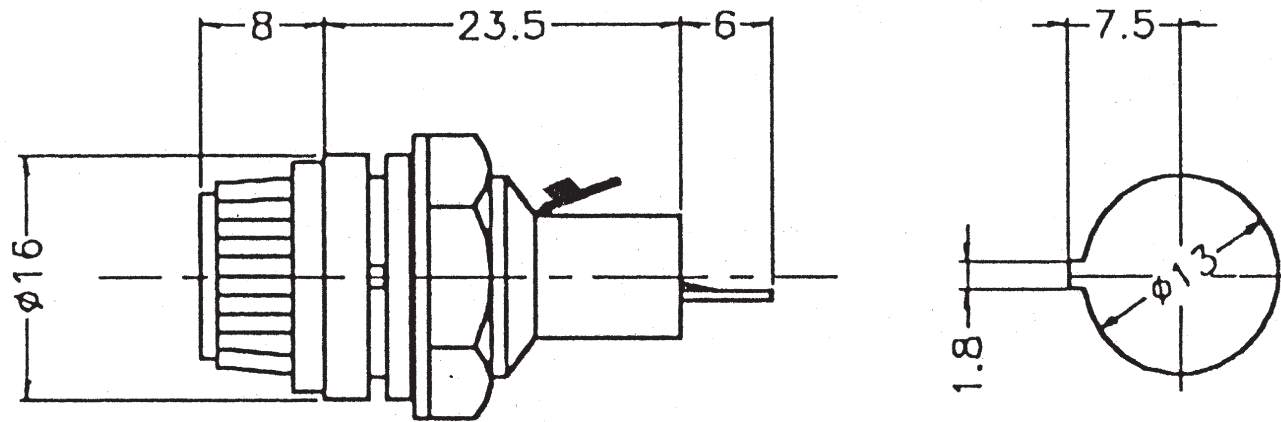


RoHS
Compliant
Drawing For
Reference Only



Technical requirement :

1. This product should meet EU RoHS related requirement.
2. The surface of plastic part should be without any crackle such as burr,lack,and so on phenomenon.
3. The surface of metal part should be without any defect such as scaur,nick,oxidation and plating problem.
4. The electronic performance should be the same as spec.
5. The un-specified tolerance is : $<6\pm 0.1$
 $6\sim 20\pm 0.2$
 $>20\pm 0.3$

Specification :

- Rated Current : AC 250V 10A
- Contact Resistance : 5m ohm at 1A DC
- Insulation Resistance : 100M ohm min. at DC 500V
- Dielectric Strength : AC 1500V for one minute.

DCI DRAGON CITY INDUSTRIES LIMITED			Design	K.W Law	Remark	Scale	
			Drawing	W.K Yeung	Remark	Material	
Item Name	Fuse Holder	Tolerance :	Check	K.L Wong	Remark	Dwg No.	90303-1600
Item No.	FH-311S-EN	Unit : mm \oplus \ominus	Approval	K.W Chan	Remark	Sheet	